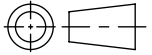
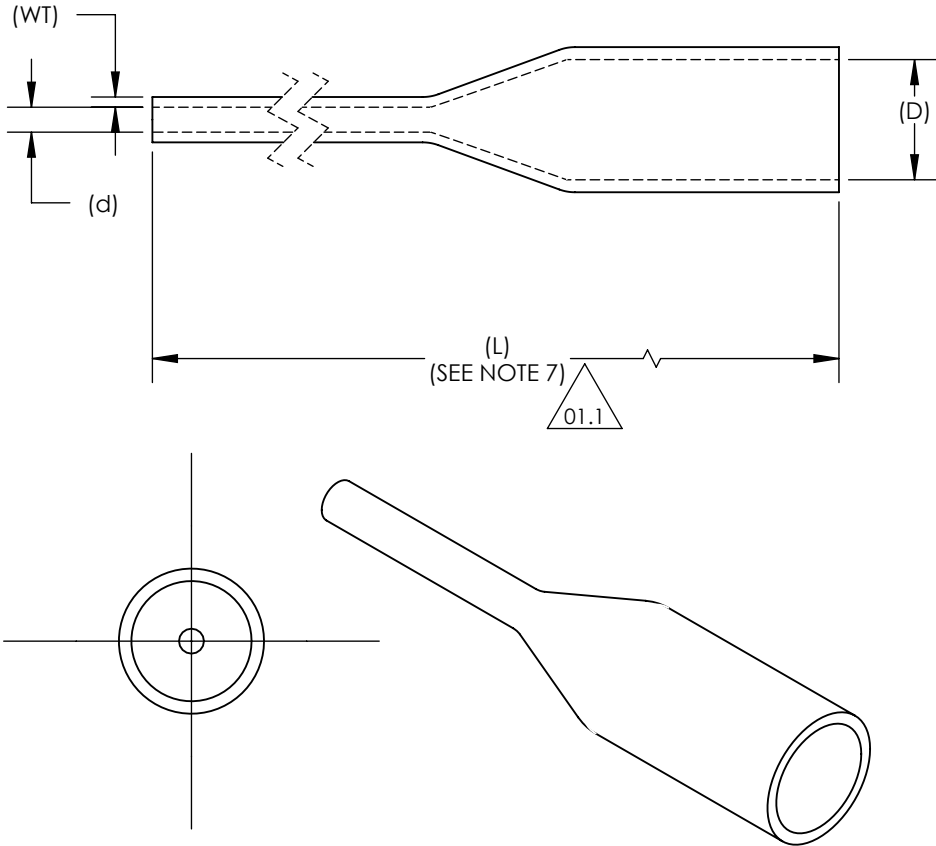


SW2015



Revision level			Revision Record		Changed	Date	Approved	Date
Drawing	State	Part						
01.1	Design Release		SEE ECN# 013944		CAS	7/11/2017	KAC	7/11/2017



NOTES:

1. SHRINK RATIO: 2:1
2. LONGITUNDINAL CHANGE AFTER SHRINKAGE: -5%MAX
3. MINIMUM SHRINK TEMPERATURE: 248° F (120° C)
4. OPERATING TEMPERATURES: -67° F TO 275° F (-55° C TO +135° C)
5. DIELECTRIC STRENGTH: 25kV/MM ACCORDING TO IEC 60684 P2
6. FLAMMABILITY: ASTM D2671
7. CONSULT FACTORY OR WEBSITE FOR AVAILABLE LENGTHS

Type	Shrink Ratio	Nominal Trade Size	Supplied Diameter (D)		Recovered Diameter (d)		Wall Thickness Recovered (WT)		Color
		in	in	mm	in	mm	in	mm	
HIS-Pack-3/64	2:1	3/64	0.047	1.2	0.024	0.6	0.016	0.40	Black (BK)
									Red (RD)
									Clear (CL)
									Blue (BU)
HIS-Pack-1/16	2:1	1/16	0.063	1.6	0.032	0.8	0.016	0.40	Black (BK)
									Red (RD)
									Clear (CL)
									Blue (BU)
HIS-Pack-3/32	2:1	3/32	0.094	2.4	0.047	1.2	0.02	0.5	Black (BK)
									Red (RD)
									Clear (CL)
									Blue (BU)
HIS-Pack-1/8	2:1	1/8	0.125	3.2	0.063	1.6	0.02	0.5	Black (BK)
									Red (RD)
									Clear (CL)
									Blue (BU)
HIS-Pack-3/16	2:1	3/16	0.188	4.8	0.094	2.4	0.02	0.5	Green-Yellow (GNYE)
									Black (BK)
									Red (RD)
									Clear (CL)
HIS-Pack-1/4	2:1	1/4	0.25	6.4	0.125	3.2	0.024	0.6	Blue (BU)
									Green-Yellow (GNYE)
									Black (BK)
									Red (RD)
HIS-Pack-3/8	2:1	3/8	0.375	9.5	0.185	4.7	0.024	0.6	Clear (CL)
									Blue (BU)
									Green-Yellow (GNYE)
									Black (BK)
HIS-Pack-1/2	2:1	1/2	0.5	12.7	0.25	6.4	0.024	0.6	Blue (BU)
									Green-Yellow (GNYE)
									Clear (CL)
									Red (RD)
HIS-Pack-3/4	2:1	3/4	0.75	19.1	0.38	9.5	0.031	0.8	Blue (BU)
									Green-Yellow (GNYE)
									Clear (CL)
									Red (RD)
HIS-Pack-1	2:1	1	1	25.4	0.5	12.7	0.035	0.9	Blue (BU)
									Green-Yellow (GNYE)
									Clear (CL)
									Red (RD)

Material
POLYOLEFIN, CROSS LINKED (POX)

Units: inches
Dimension without tolerances details to:
.xxxx = ±.0005
.xxx = ±.005
.xx = ±.01
.x = ±.03
None = ±.06
∠ = ±0.5°
Dimension Formatted in [mm]

The copyright of this drawing is reserved by HellermannTyton. It is issued on condition that it is not reproduced, copied, or disclosed to a third party, either wholly or in part, without the consent of HellermannTyton.

Drawn GRW 12/9/2016
Approved KAC 12/9/2016

HellermannTyton
North America
Email: corp@htamericas.com
Web: www.hellermann.tyton.com

Article/Type-No HIS-PACK SERIES
Title HEAT SHRINK TUBING, 2:1 SHRINK RATIO, NON-ADHESIVE THIN WALL
Drawing-No PRODUCTION : Phase
17-1046-001-CSU

Scale 5:1
Project Number PRP 17-1046
Format AH
Sheet 1/1